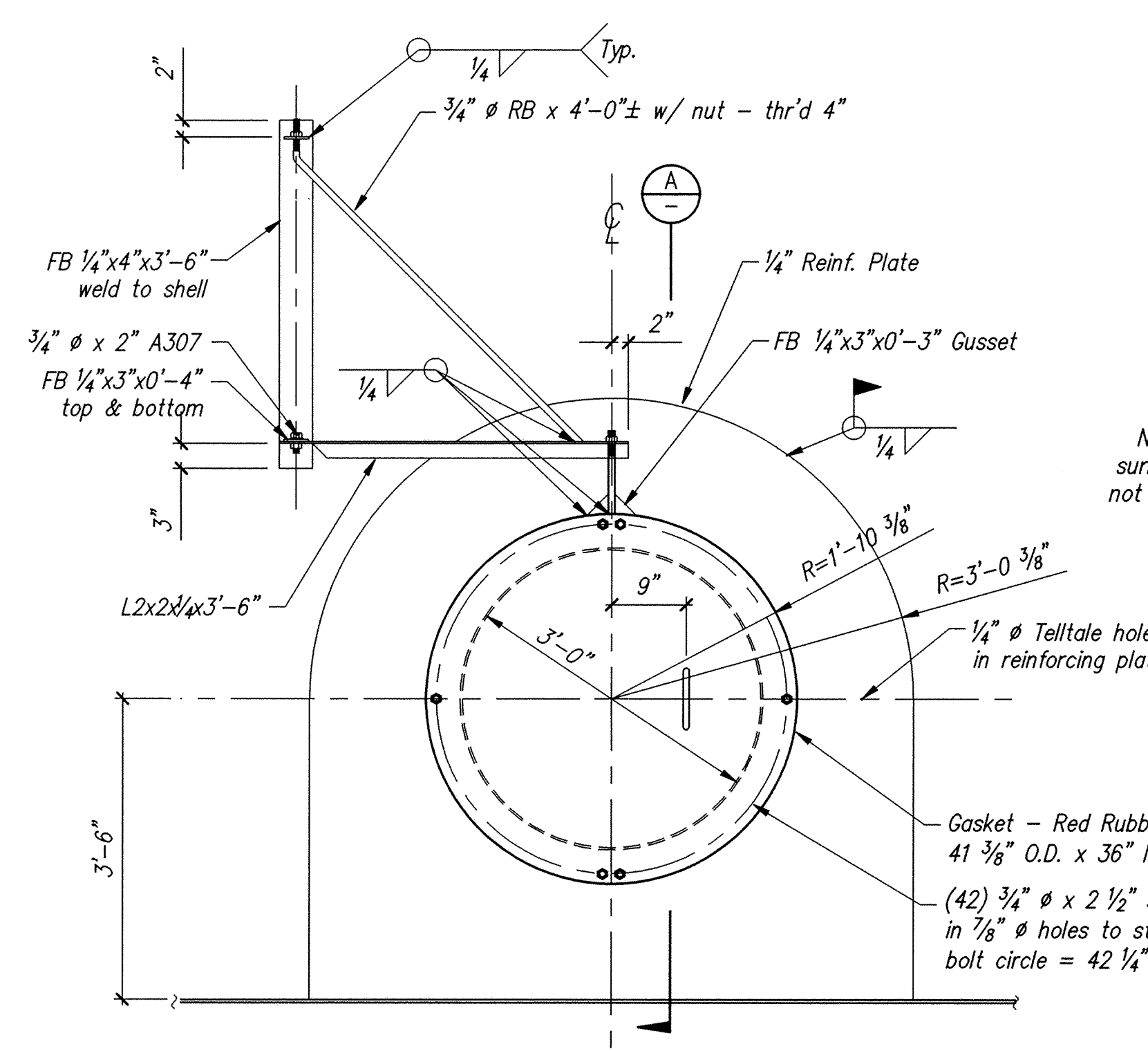
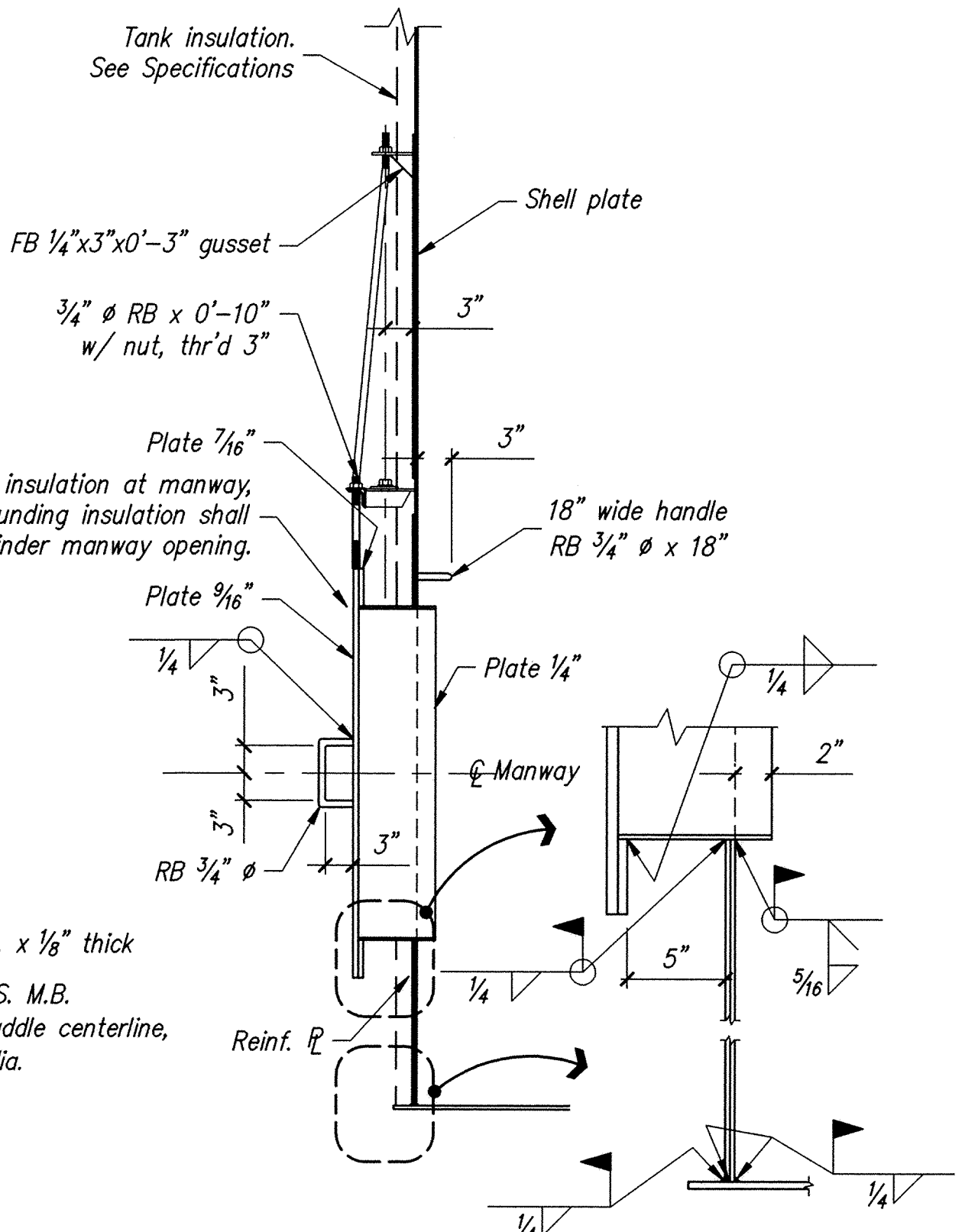


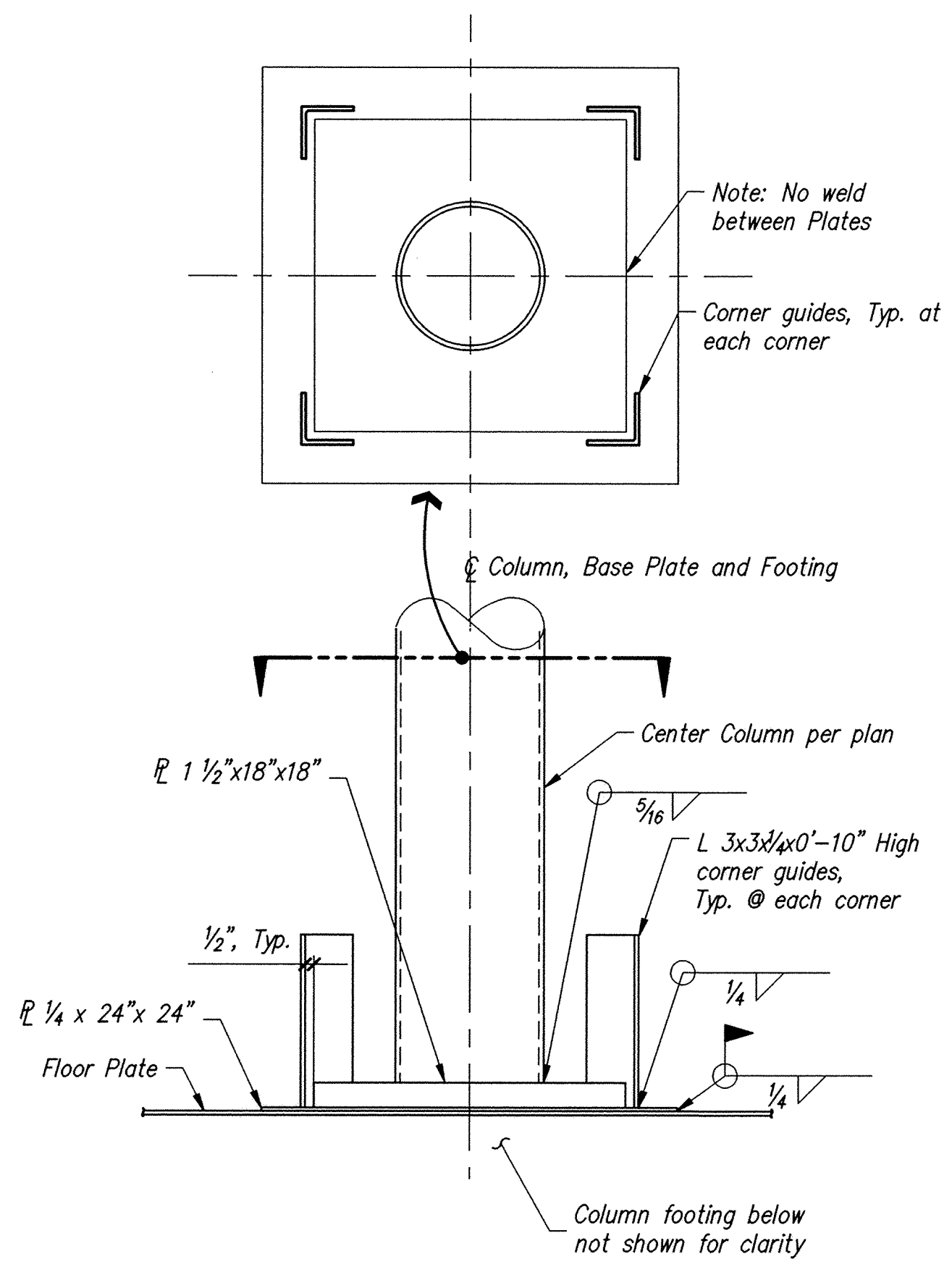
Plotted: Feb 09, 2010 - 11:54 kirkk F:\TANKS\CityofPullman\AsBlt\A09114-PLANS-AsBlt.dwg Layout Name: Layout2 xrefs: titlesht



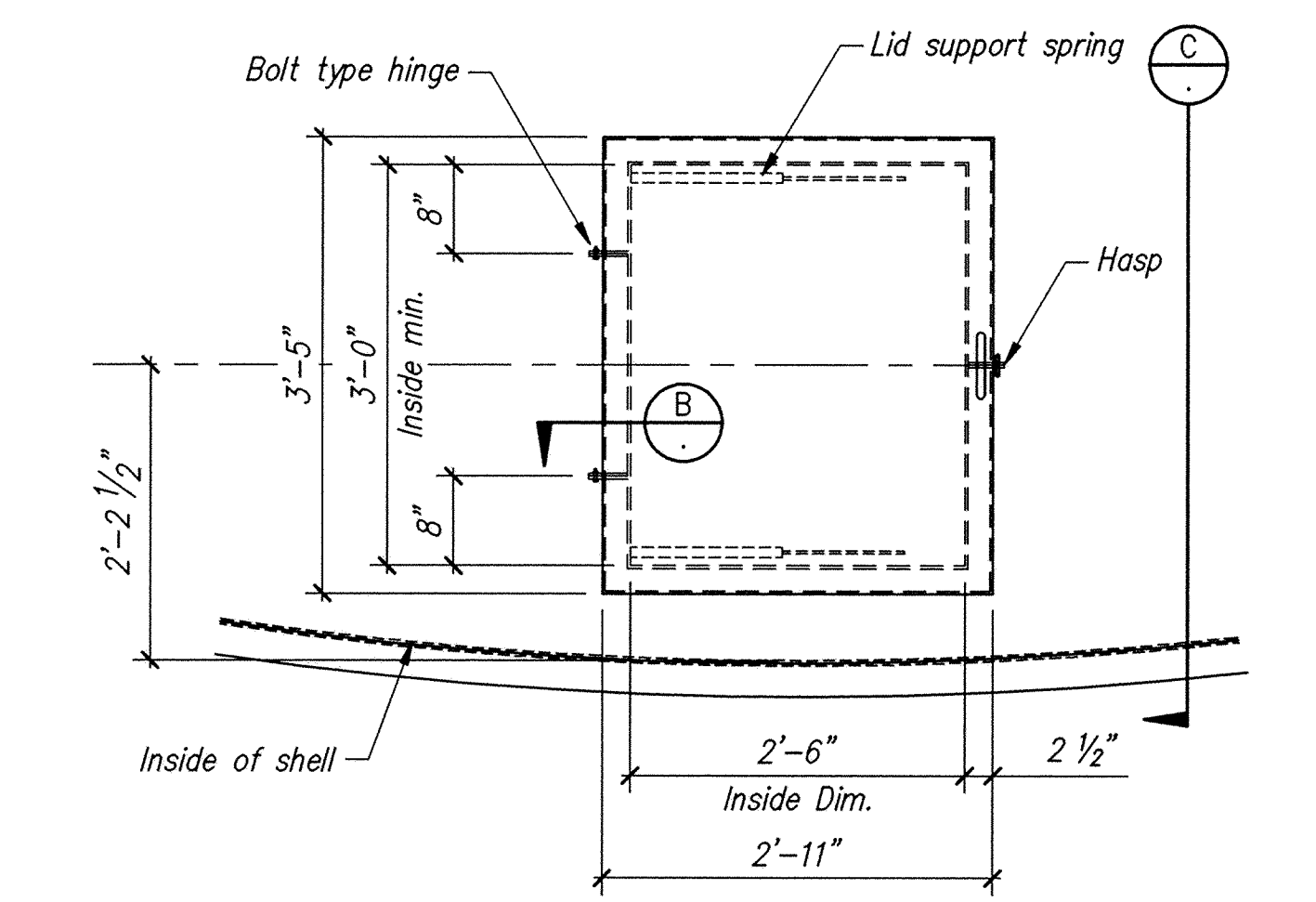
36"  $\phi$  Shell Manway (Two Req'd) 1



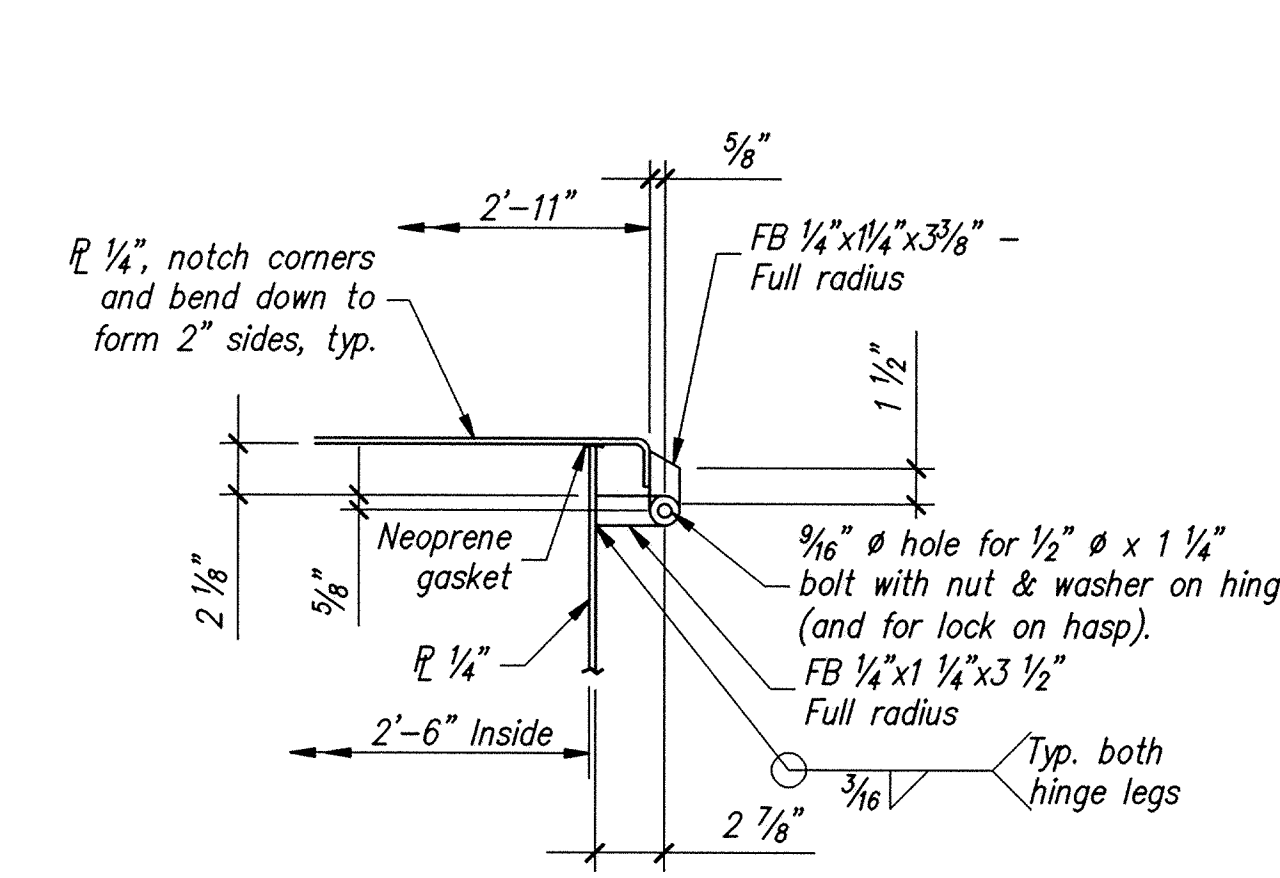
36"  $\phi$  Shell Manway Section A



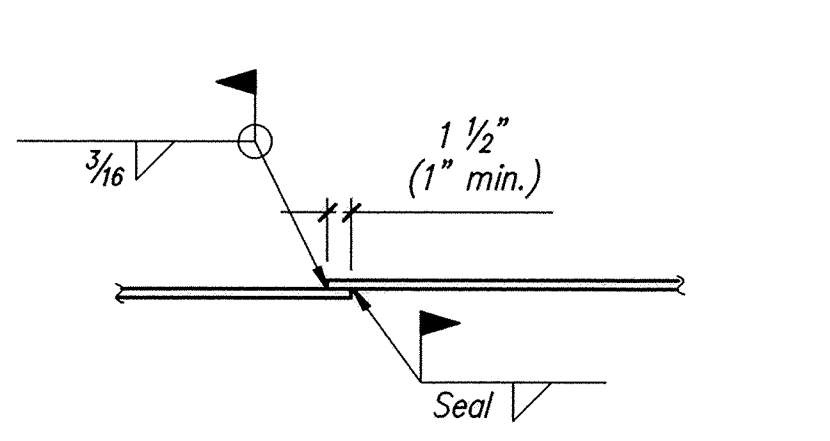
Center Column Base Detail 2



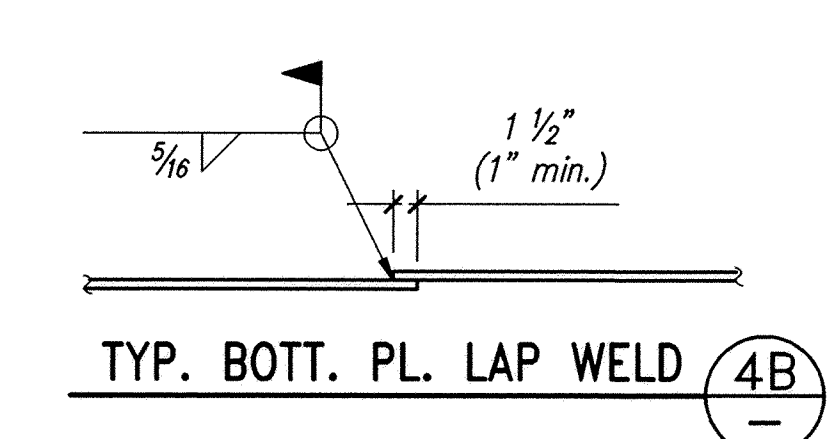
Roof Access Hatch 3



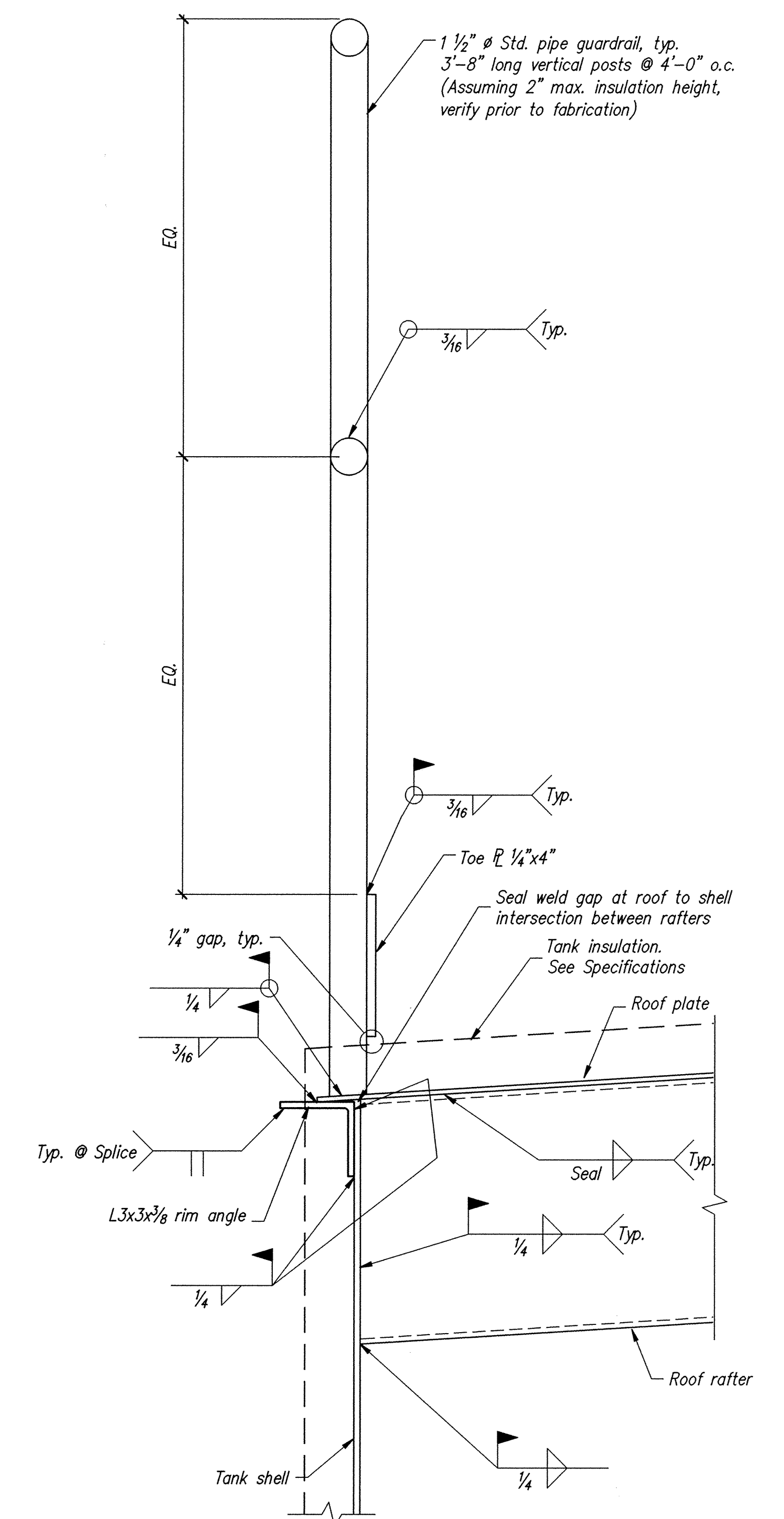
DETAIL: HINGE (HASP SIM.) B



TYP. ROOF PLATE LAP WELD 4A



TYP. BOTT. PL. LAP WELD 4B



TANK ROOF PERIMETER SUPPORT & GUARDRAIL 5

The Engineer's Seal was removed during the As-Built process. The information of record is as follows:  
 Engineer's Name: ERK CHRISTOPHER MARTIN  
 Eng.'s No.: 40851  
 Date on plan: 5/19/09

No.	Date	By	Ckd.	Appr.	Revisions

Drawn	Date
Designed	
Checked By	CRG
Approved	Date

**SARGENT**  
 Sargent Engineers, Inc.  
 320 Ronlee Lane NW • Olympia, WA 98502  
 Tel. 360 867-9284 • Fax 360 867-9318  
 SEI Pr. No. - A09114.00

VERTICAL DATUM:  
 NAVD 83

CITY OF PULLMAN,  
 WASHINGTON  
 ENGINEERING DIVISION

SCALE  
 HORIZ. \_\_\_\_\_  
 VERT. \_\_\_\_\_

PULLMAN/MOSCOW AIRPORT FIRE FLOW SYSTEM  
 TANK DETAILS

WATER  
 SHEET  
 S3  
 4