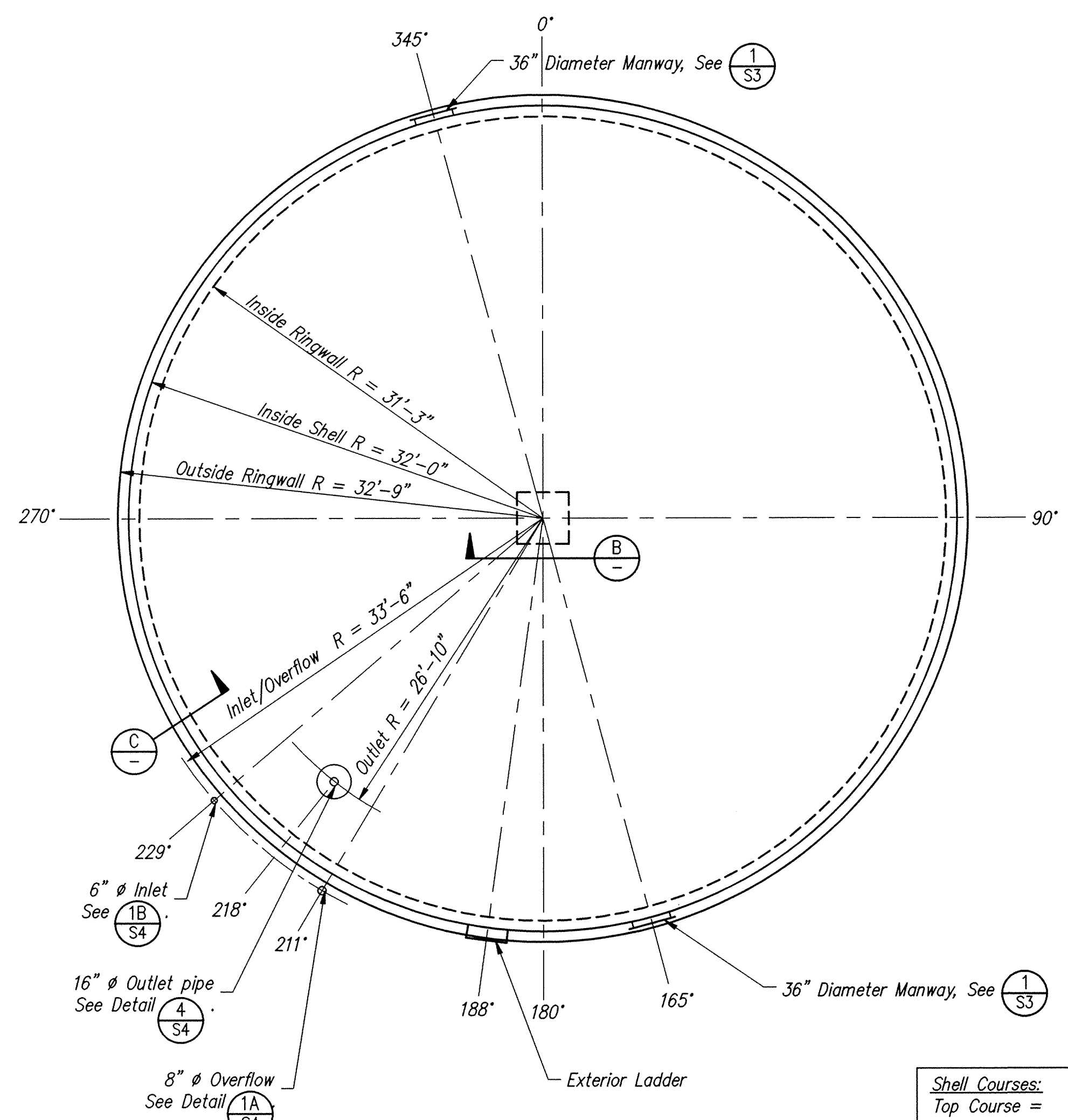


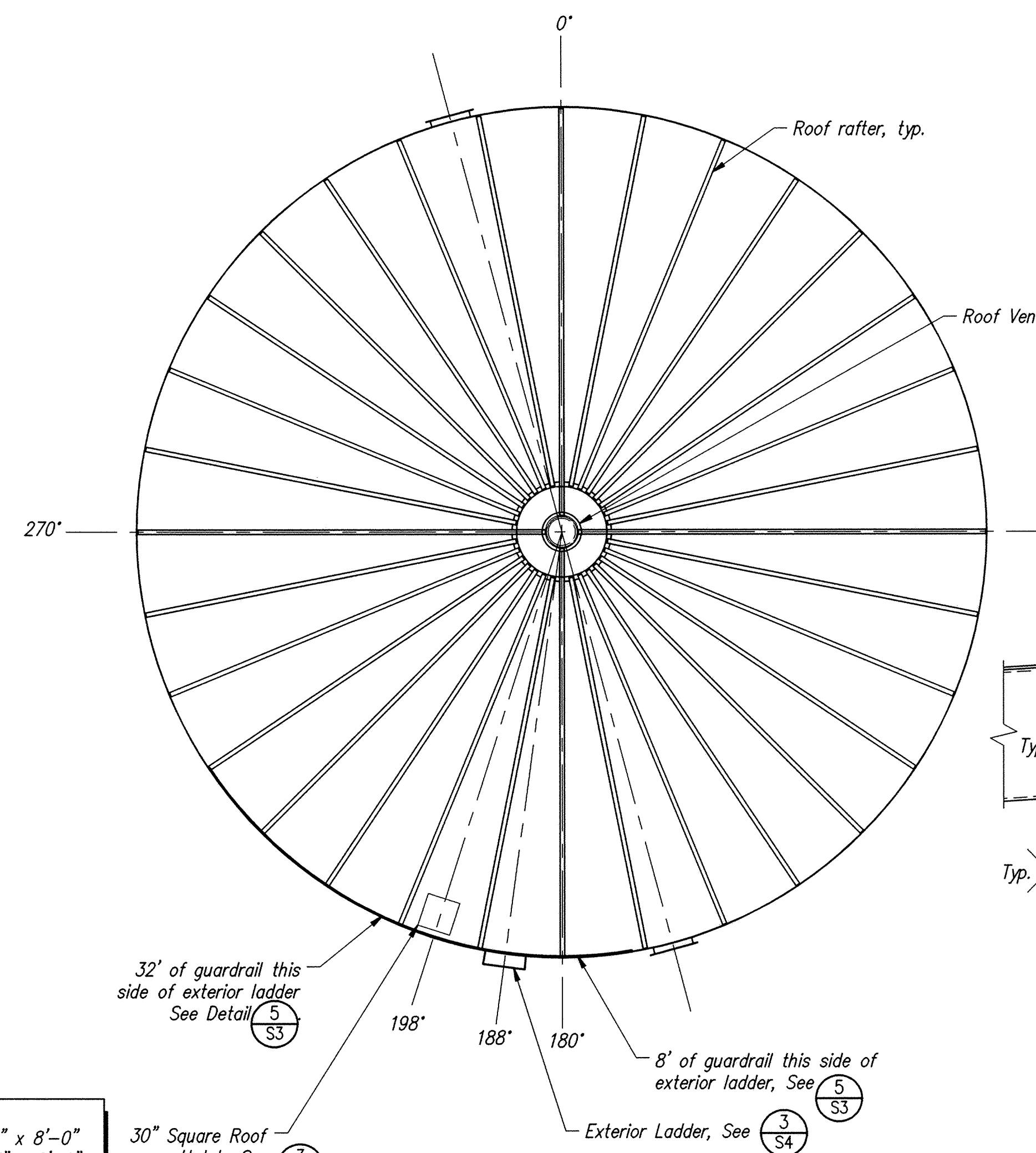
Plotted: Feb 09, 2010 - 11:54 kirkk F:\TANKS\Civil\Pullman\ASBHV A09114-PLANS-ASBHV.dwg Layout Name: Layout1 xrefs: littlesht



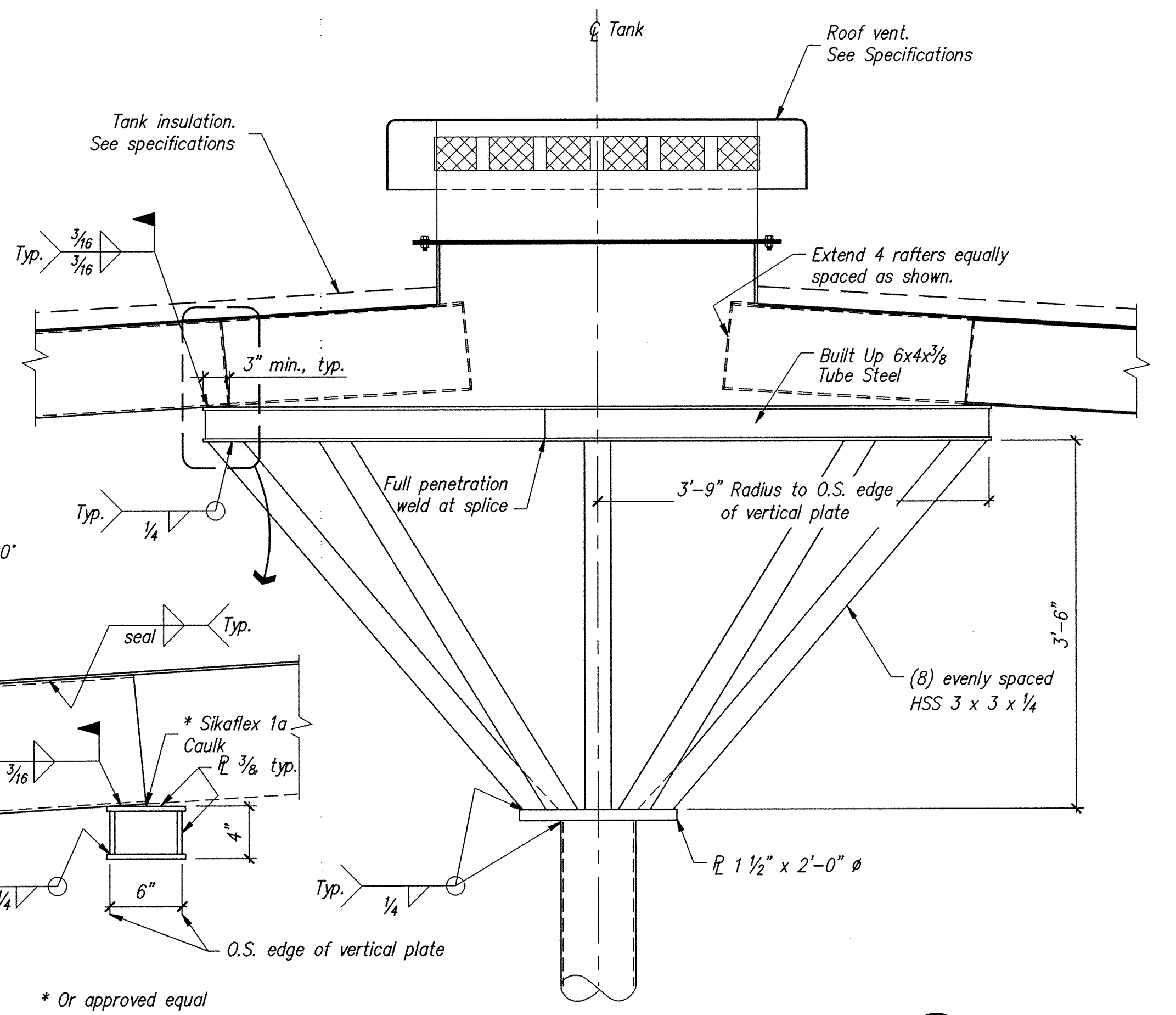
TANK FOUNDATION PLAN
Scale: 1/8" = 1'-0"

Shell Courses:
 Top Course = 0.25" x 8'-0"
 Mid. Course = 0.25" x 8'-0"
 Bot. Course = 0.26" x 8'-0"
 Total Shell Height = 24'-0"

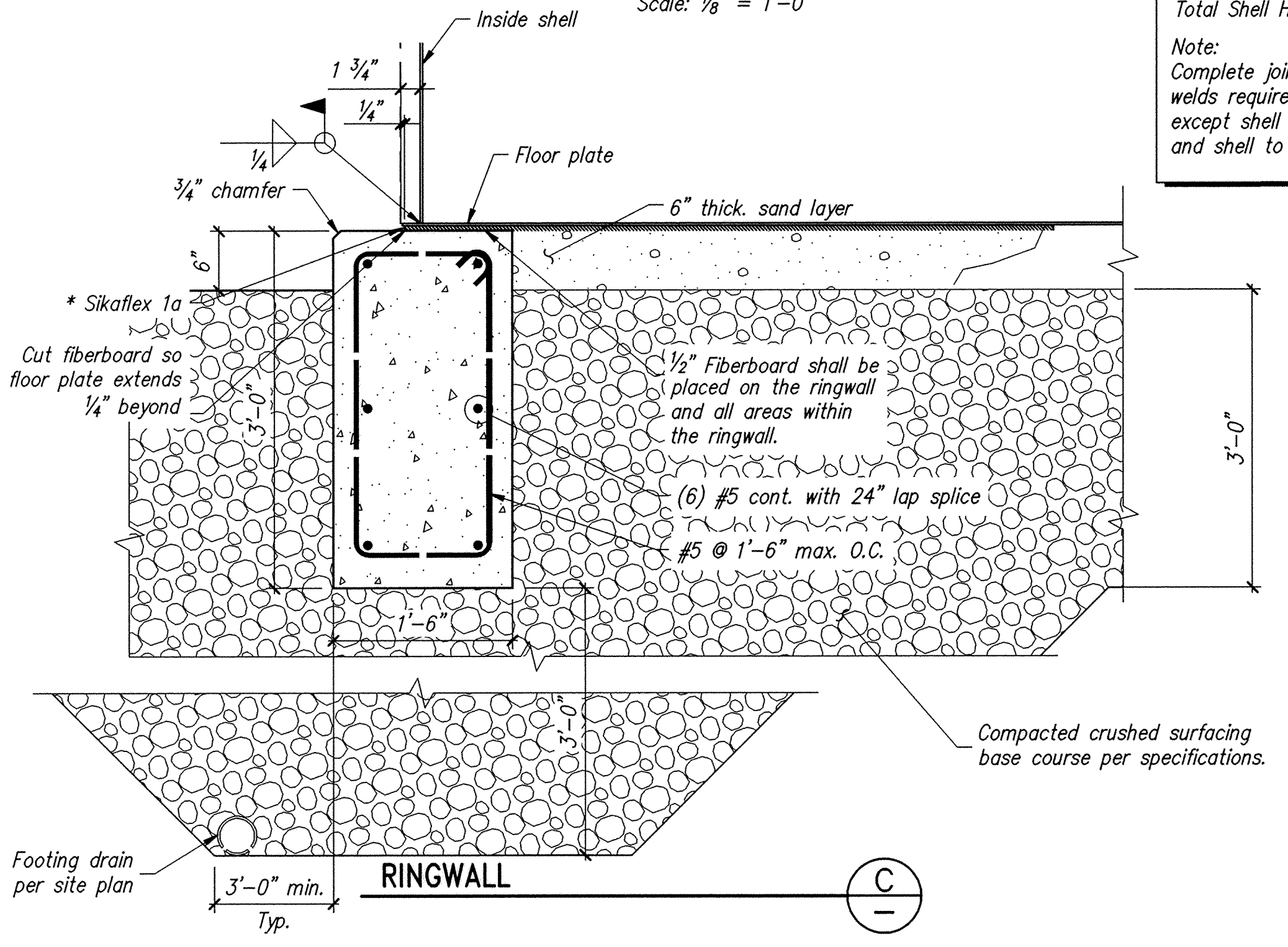
Note:
 Complete joint penetration welds required on shell plates, except shell to bottom plate, and shell to rim weld.



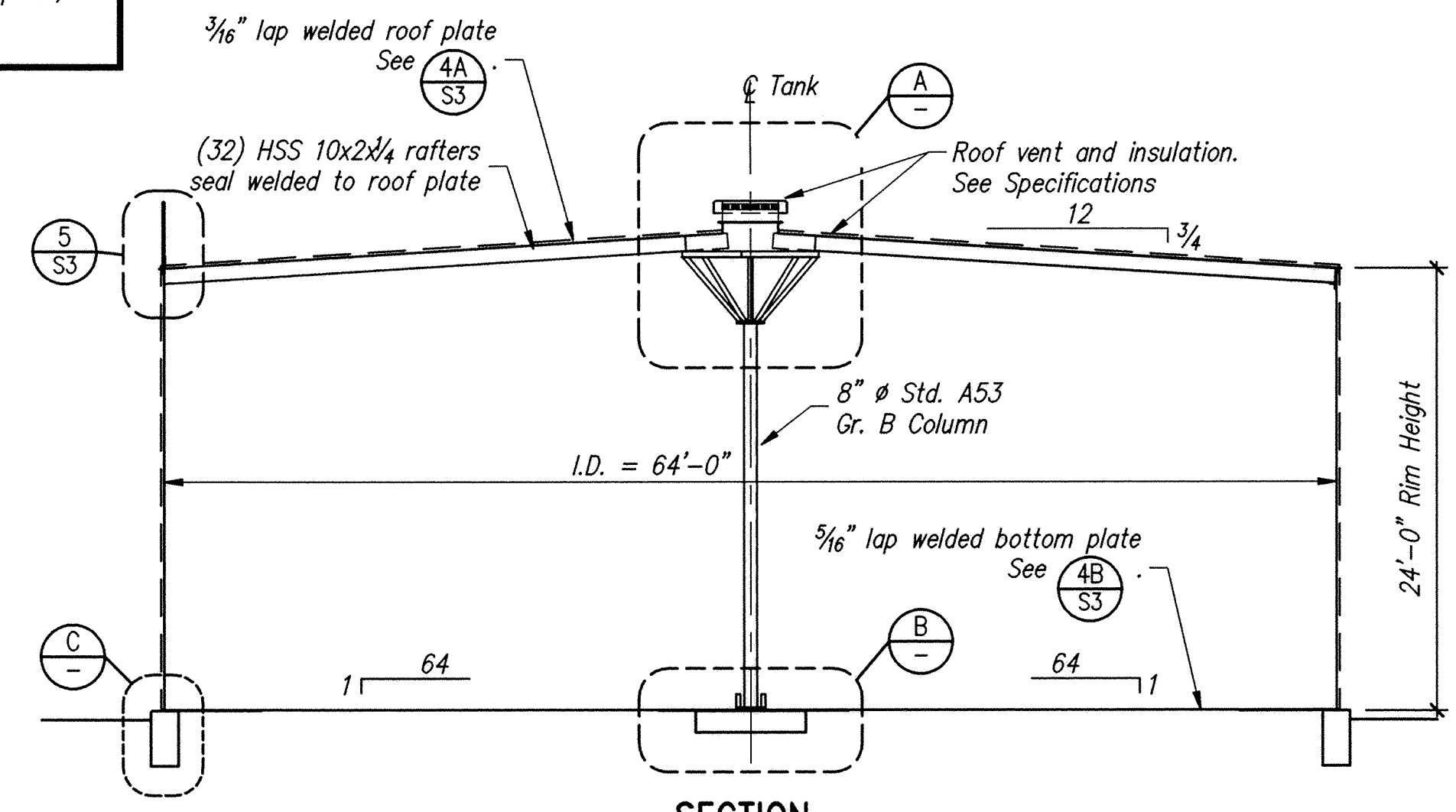
TANK ROOF PLAN
Scale: 1/8" = 1'-0"



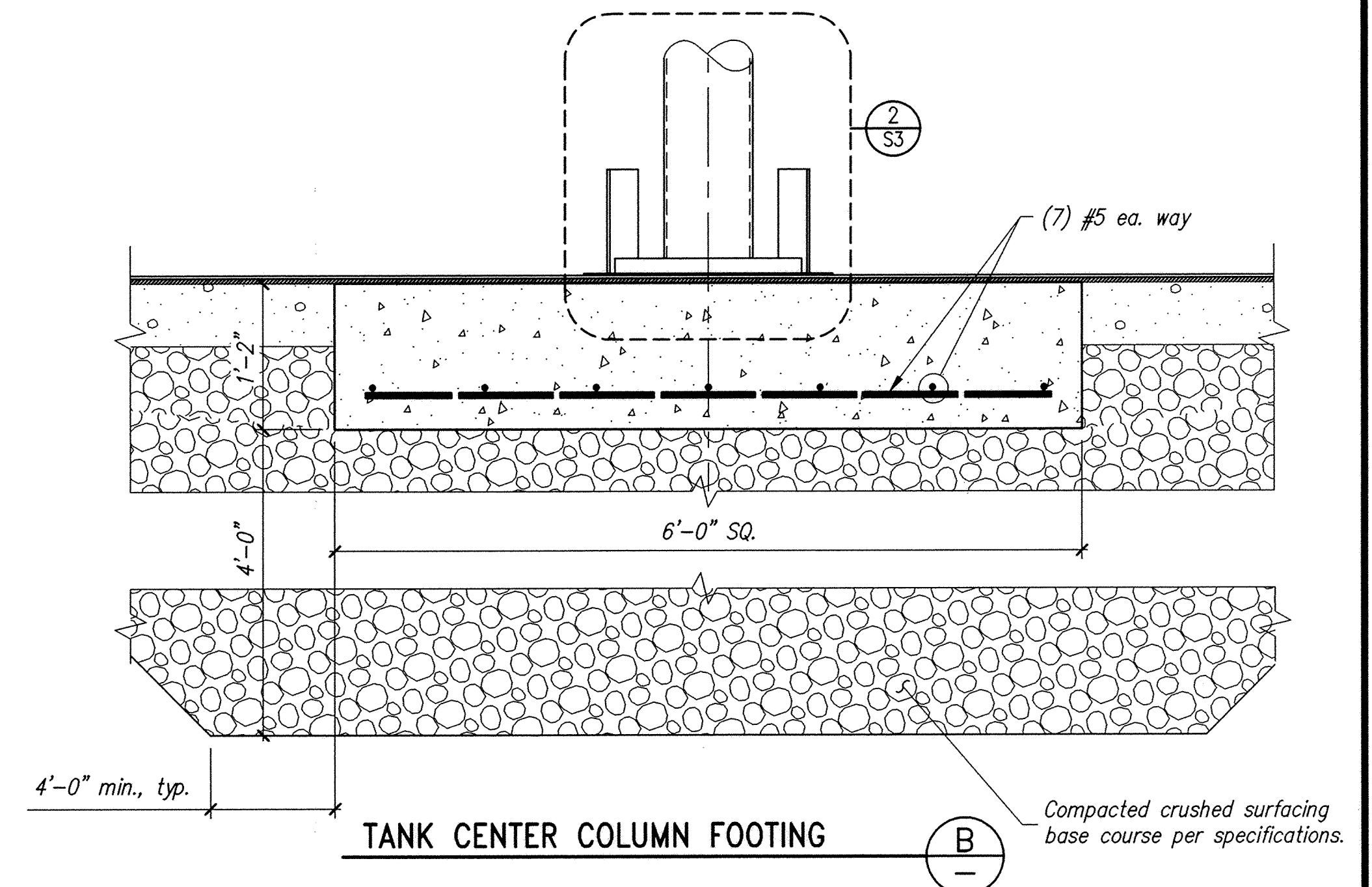
TANK ROOF INTERIOR SUPPORT



RINGWALL



SECTION
Scale: 1/8" = 1'-0"



TANK CENTER COLUMN FOOTING

The Engineer's Seal was removed during the As-Built process. The information of record is as follows:

Engineer's Name	Eng.'s No.	Date on plan
ERIK CHRISTOPHER MARTIN	40851	5/19/09

No.	Date	By	Ckd.	Appr.	Revisions

Draw _____ Date _____
 Designed _____
 Checked By _____
 CRCG

Approved _____ Date _____

SARGENT
 Sargent Engineers, Inc.
 320 Ronlee Lane NW • Olympia, WA 98502
 Tel. 360 867-9284 • Fax 360 867-9318
 SEI Pr. No. - A09114.00

VERTICAL DATUM:
 NAVD 83

CITY OF PULLMAN, WASHINGTON
 ENGINEERING DIVISION

SCALE
 HORIZ. _____
 VERT. _____

PULLMAN/MOSCOW AIRPORT FIRE FLOW SYSTEM
 TANK PLANS AND DETAILS

WATER
 SHEET
S2
 4