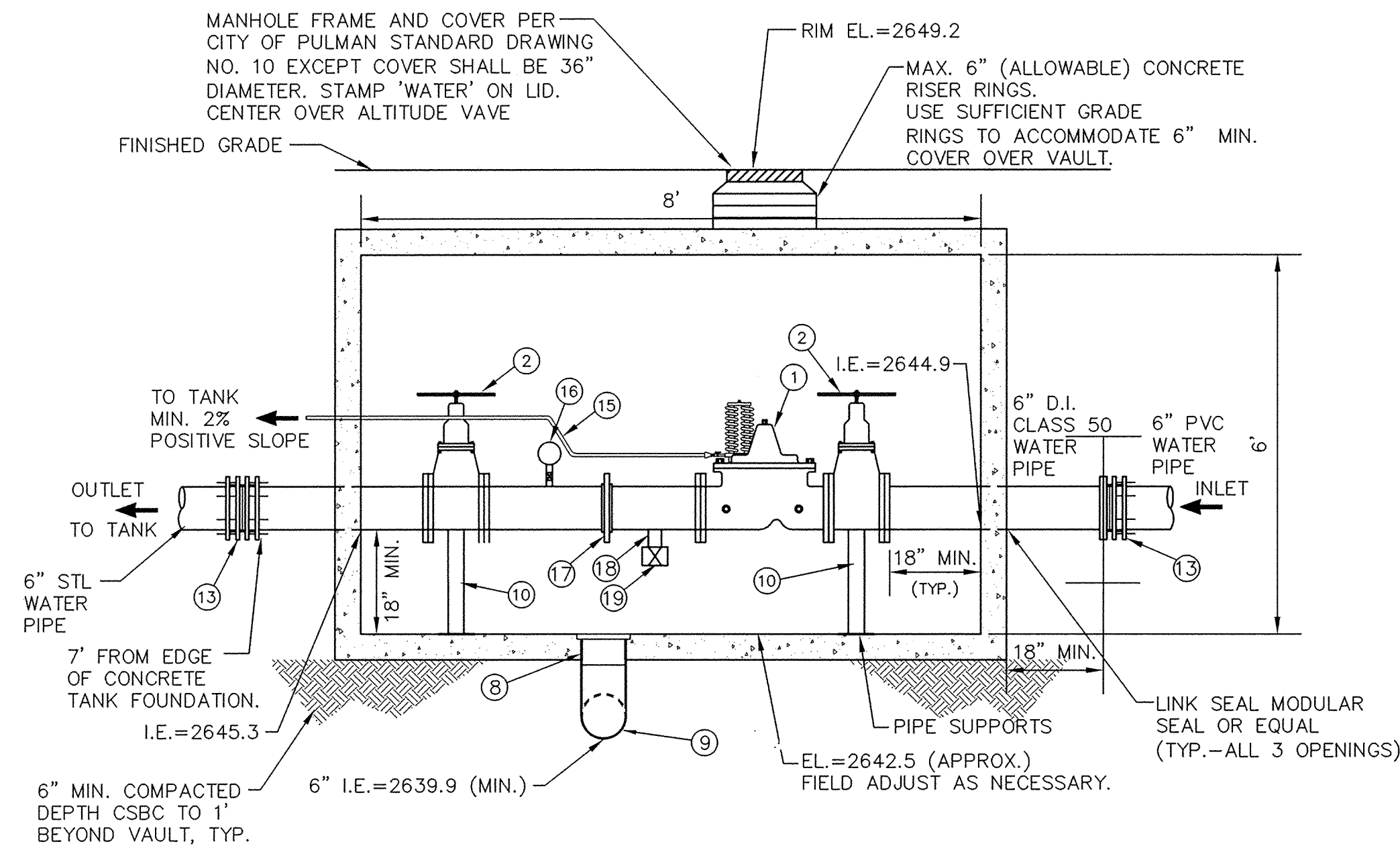


PLAN VIEW



ELEVATION (LOOKING SOUTHEAST)

1 ALTITUDE VALVE VAULT

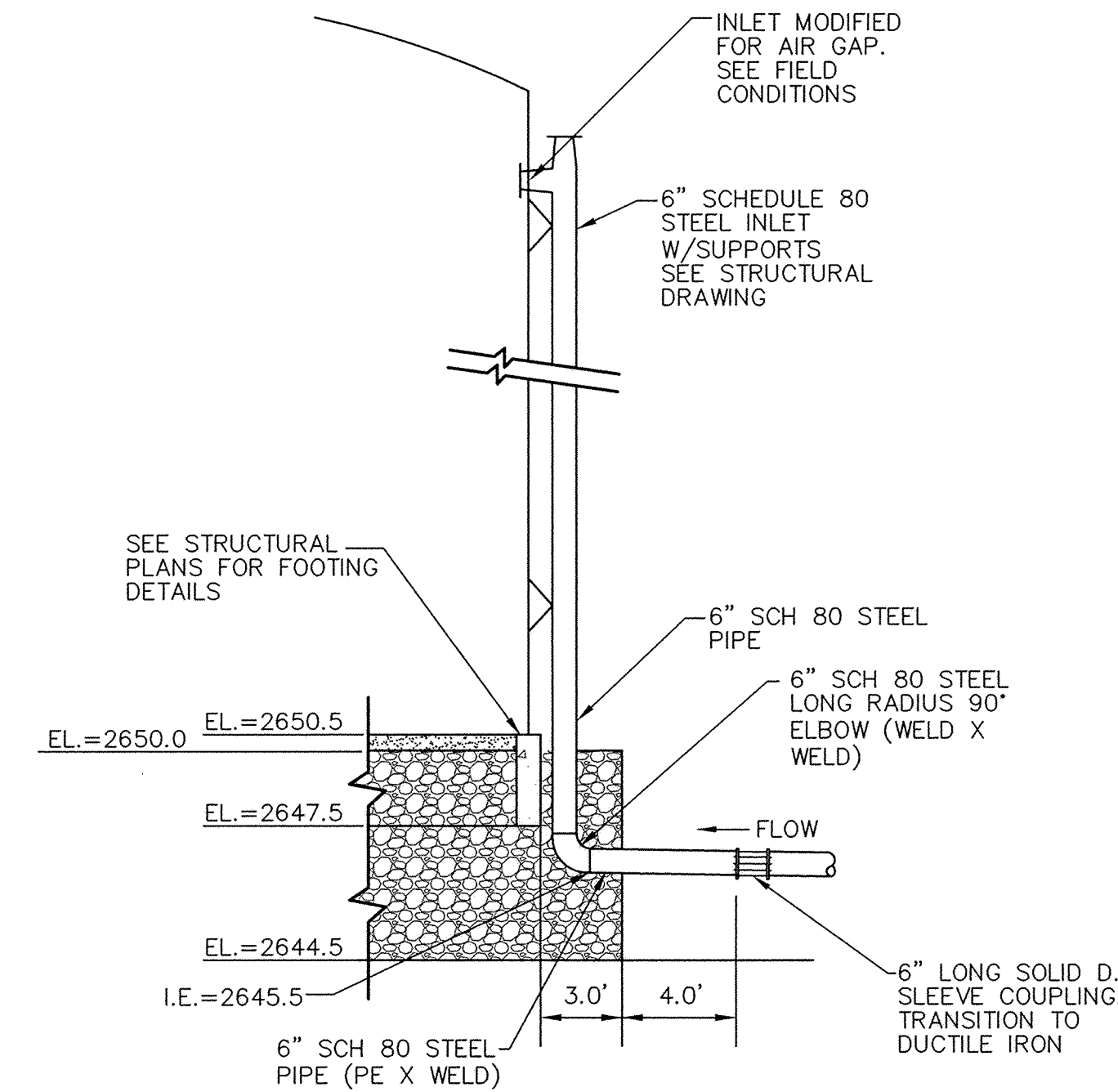
NOT TO SCALE

3 NOT USED

NOT TO SCALE

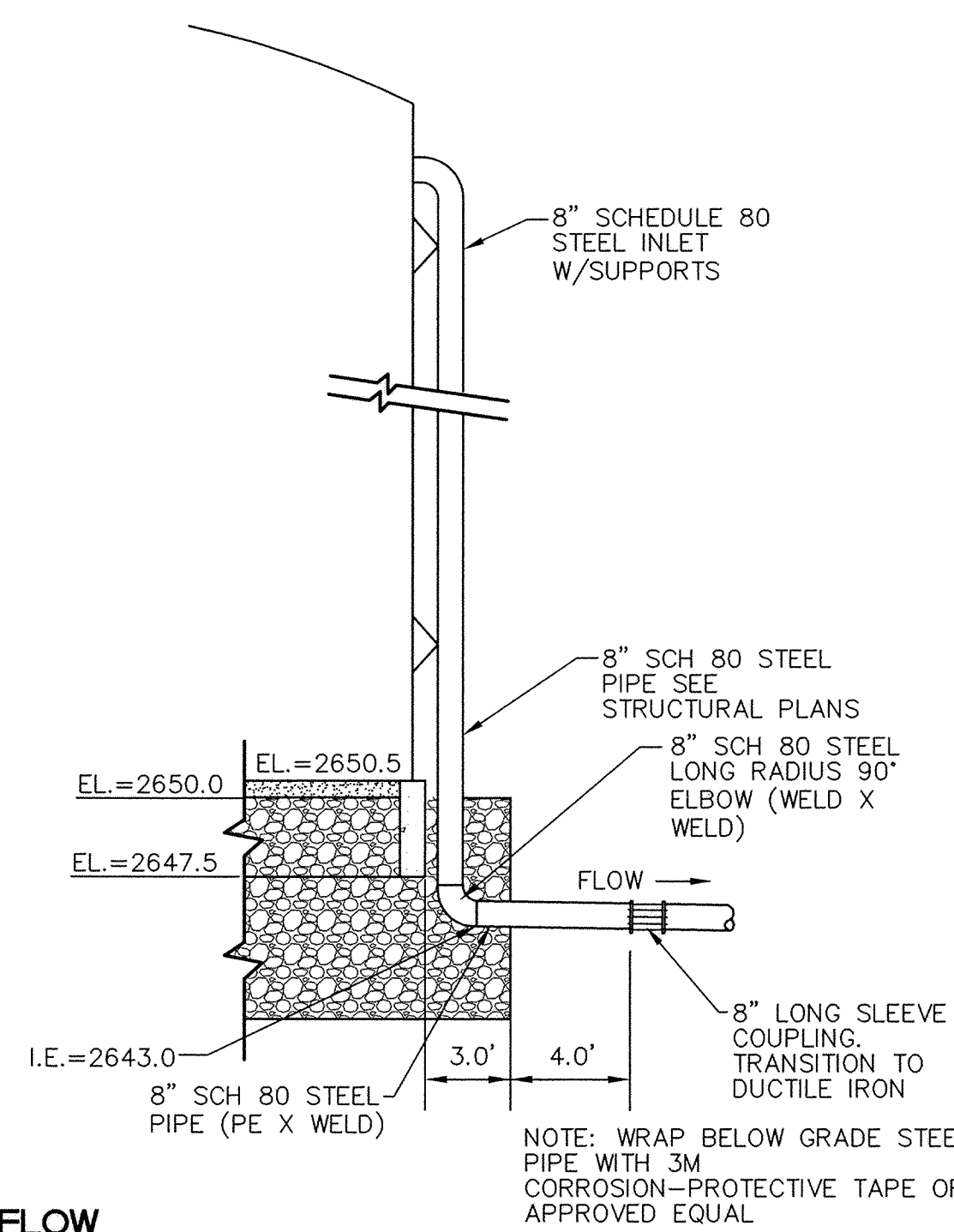
ALTITUDE VALVE VAULT PIPING SCHEDULE

ITEM	QTY.	DESCRIPTION	LAYING LENGTH (INCHES)
1	1	6" CAL-VAL 210-01 W/ ALTITUDE VALVE FOR ONE-WAY FLOW, DI BODY, FLANGED	20.00"
2	2	6" MUELLER A2360-6 RW NRS GATE VALVE W/HANDWHEEL- FLG. x FLG.	11.00"
3	1	8'L x 6'W x 6'H PRECAST CONCRETE VAULT "H20" LOAD RATING.	N/A
4	1	6" D.I. / CLASS 53 SPOOL FL. x PE.	6" MIN.
5	1	6" DIA. FLG. COUPLING ADAPTER.	9.25"
6		NOT USED.	
7		NOT USED.	
8	1	6" PVC CAST-IN-PLACE FLOOR DRAIN W/GRATE CENTERED IN VAULT.	N/A
9	1	6" PVC TO SDMH#2. (2% SLOPE MIN.)	PER PLAN
10	1	STANDON MODEL S92 STAINLESS STEEL PIPE SUPPORT	N/A
11	1	6" DI DIA. SPOOL, FLG. x FLG.	42" (APPROX.)
12	1	6" DIA. DI SPOOL, FLG. x PE.	78" (APPROX.)
13	1	6" DIA. DI LONG SLEEVE COUPLING M.J. x M.J.	N/A
14	1	NOT USED	N/A
15	1	1" FLEXIBLE TYPE K COPPER PRESSURE SENSING LINE W/LONG SLEEVE COUPLING (MIN. 36" OUTSIDE OF VAULT)	N/A
16	1	0-30 PSI LIQUID FILLED PRESSURE GAUGE W/BALL VALVE	N/A
17	1	VITALLIC GROOVED PIPE COUPLING (RESTRAINED JOINT) OR APPROVED EQUAL	15"
18	1	1/2" GALVANIZED PIPE ON BOTTOM OF PIPE	2"
19	1	1/2" BALL VALVE	N/A



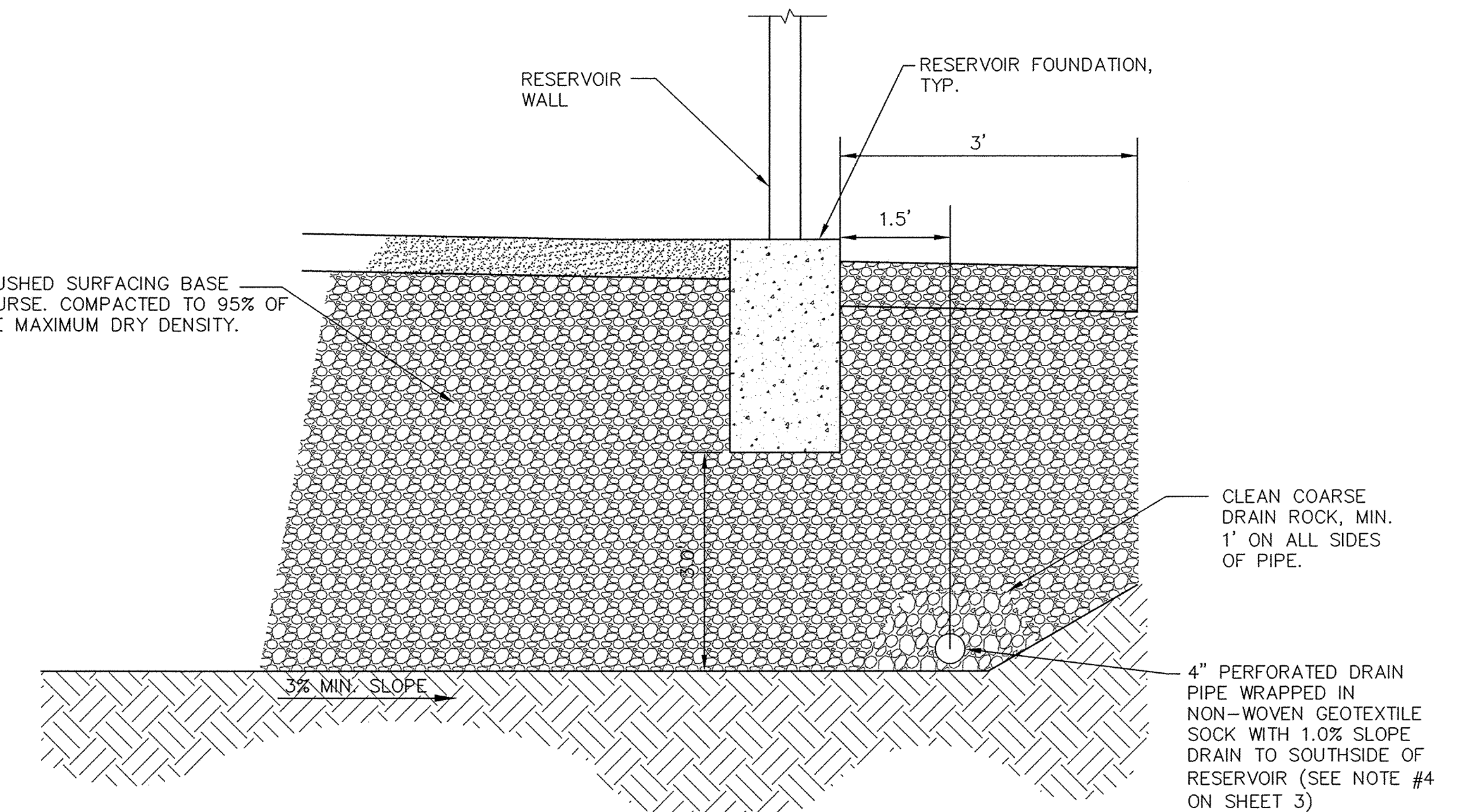
2 6" INLET FILL LINE

NOT TO SCALE



4 OVERFLOW

NOT TO SCALE



5 RESERVOIR FOUNDATION DRAIN AND FONDATION SOIL IMPROVEMENT

NOT TO SCALE

RECORD DRAWING PER FIELD SURVEY

No.	Date	By	Ckd.	Appr.	Revisions
1	2/10	DWC		CRG	RECORD DRAWINGS

Drawn	Date
DJJ	8/08
Designed	Date
CRG	11/08
Checked By	Date
RGP	6/09

The Engineer's Seal was removed during the As-Built process. The information of record is as follows:

Engineer's Name	Eng. No.	Date on job
CALVIN S. GEORGE	179639	8/10/09

Taylor Engineering, Inc.
Civil Design and Land Planning
245 E. Main St.
Pullman, Washington 99163
(509) 334-5115 FAX (509) 334-5956

VERTICAL DATUM:
NAVD 83

CITY OF PULLMAN,
WASHINGTON
ENGINEERING DIVISION

SCALE
HORIZ. 1"=40'
VERT. 1"=10'

AIRPORT FIRE FLOW SYSTEM
RESERVOIR PIPE DETAILS

WATER
SHEET
4
22